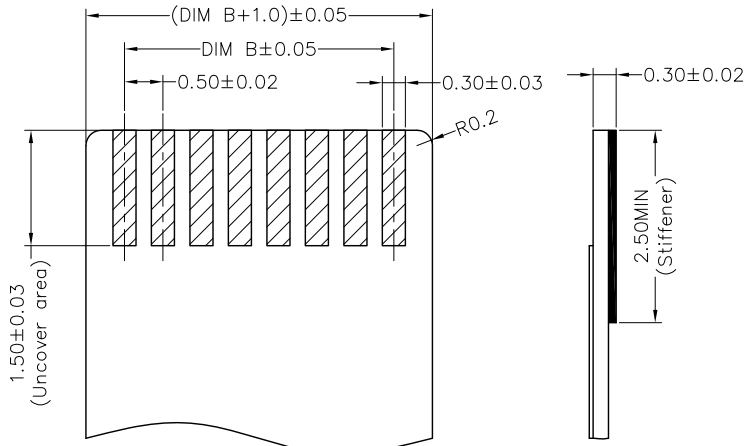
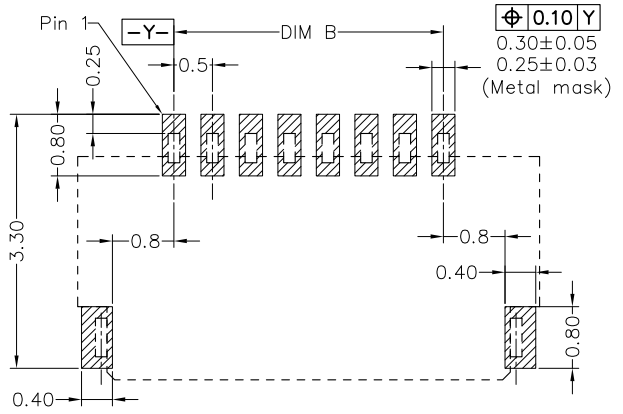
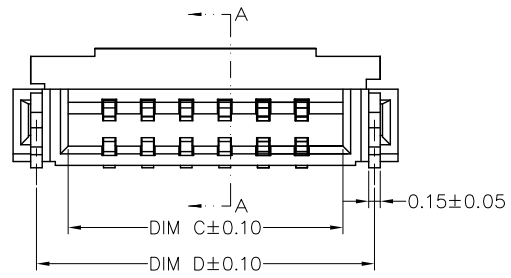
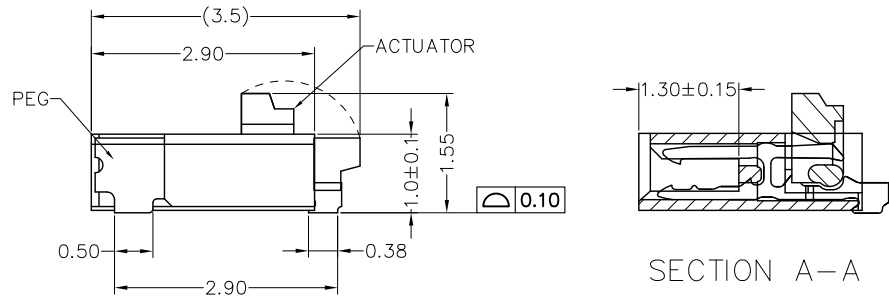
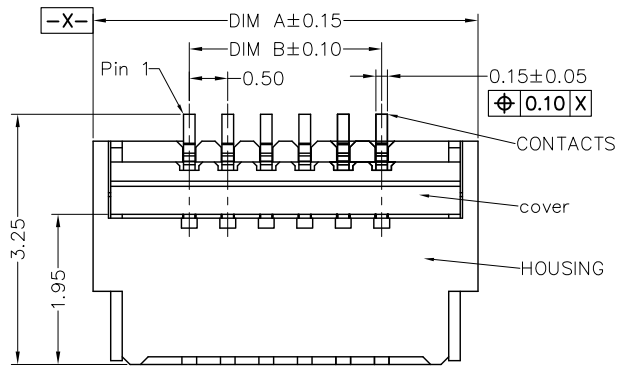




EDITION	SUMMARY OF CHANGES	ISSUE DATE

NOTE:
 1.MATERIAL:
 HOUSING: LCP (UL94V-0), COLOR: NATURAL.
 CONTACTS: COPPER ALLOY.
 PEG: COPPER ALLOY.
 ACTUATOR: LCP (UL94-V0). COLOR:BLACK
 2.RATING:
 OPERATING VOLTAGE: 50V_{rms} AC.
 CURRENT RATING: 0.5A.
 OPERATING TEMPERATURE: -55°C~+85°C.
 OPERATING HUMIDITY RANGE:
 RELATIVE HUMIDITY 90% MAX.(NO CONDENSATION)
 STORAGE TEMPERATURE RANGE: -10°C~+50°C.
 STORAGE HUMIDITY RANGE:
 RELATIVE HUMIDITY 90% MAX.(NO CONDENSATION)

PIN	DIM A	DIM B	DIM C	DIM D
4	4.00	1.50	2.57	3.39
5	4.50	2.00	3.07	3.89
6	5.00	2.50	3.57	4.39
7	5.50	3.00	4.07	4.89
8	6.00	3.50	4.57	5.39
9	6.50	4.00	5.07	5.89
10	7.00	4.50	5.57	6.39
11	7.50	5.00	6.07	6.89
12	8.00	5.50	6.57	7.39
13	8.50	6.00	7.07	7.89
14	9.00	6.50	7.57	8.39
15	9.50	7.00	8.07	8.89
16	10.00	7.50	8.57	9.39
17	10.50	8.00	9.07	9.89
18	11.00	8.50	9.57	10.39
19	11.50	9.00	10.07	10.89
20	12.00	9.50	10.57	11.39
21	12.50	10.00	11.07	11.89
22	13.00	10.50	11.57	12.39
23	13.50	11.00	12.07	12.89
24	14.00	11.50	12.57	13.39
25	14.50	12.00	13.07	13.89
26	15.00	12.50	13.57	14.39
27	15.50	13.00	14.07	14.89
28	16.00	13.50	14.57	15.39
29	16.50	14.00	15.07	15.89
30	17.00	14.50	15.57	16.39
31	17.50	15.00	16.07	16.89
32	18.00	15.50	16.57	17.39
33	18.50	16.00	17.07	17.89
34	19.00	16.50	17.57	18.39
35	19.50	17.00	18.07	18.89
36	20.00	17.50	18.57	19.39
37	20.50	18.00	19.07	19.89
38	21.00	18.50	19.57	20.39
39	21.50	19.00	20.07	20.89
40	22.00	19.50	20.57	21.39



Recommended PCB mounting pattern and metal mask dimensions
 Recommended metal mask thickness: t=0.1

Recommended FPC/FFC Dimensions



GENERAL TOLERANCE .X ±0.5 .XX ±0.2 .XXX ±0.05	X° ±2° .X° ±1° .XX° ±0.5°	UNIT: mm	DRAWN:	DATE: 2016/09/28	ITEM: FPC 0.5Pitch 1.0H ZIF R/A connector	TITLE: 工程图
		SCALE: 1:1	CHECK:	DATE:		PART NO: EC-0510-GX-nPWB H1.0
		ANGLE PROJECTION	SIZE: A4	APPROVE:	DATE:	